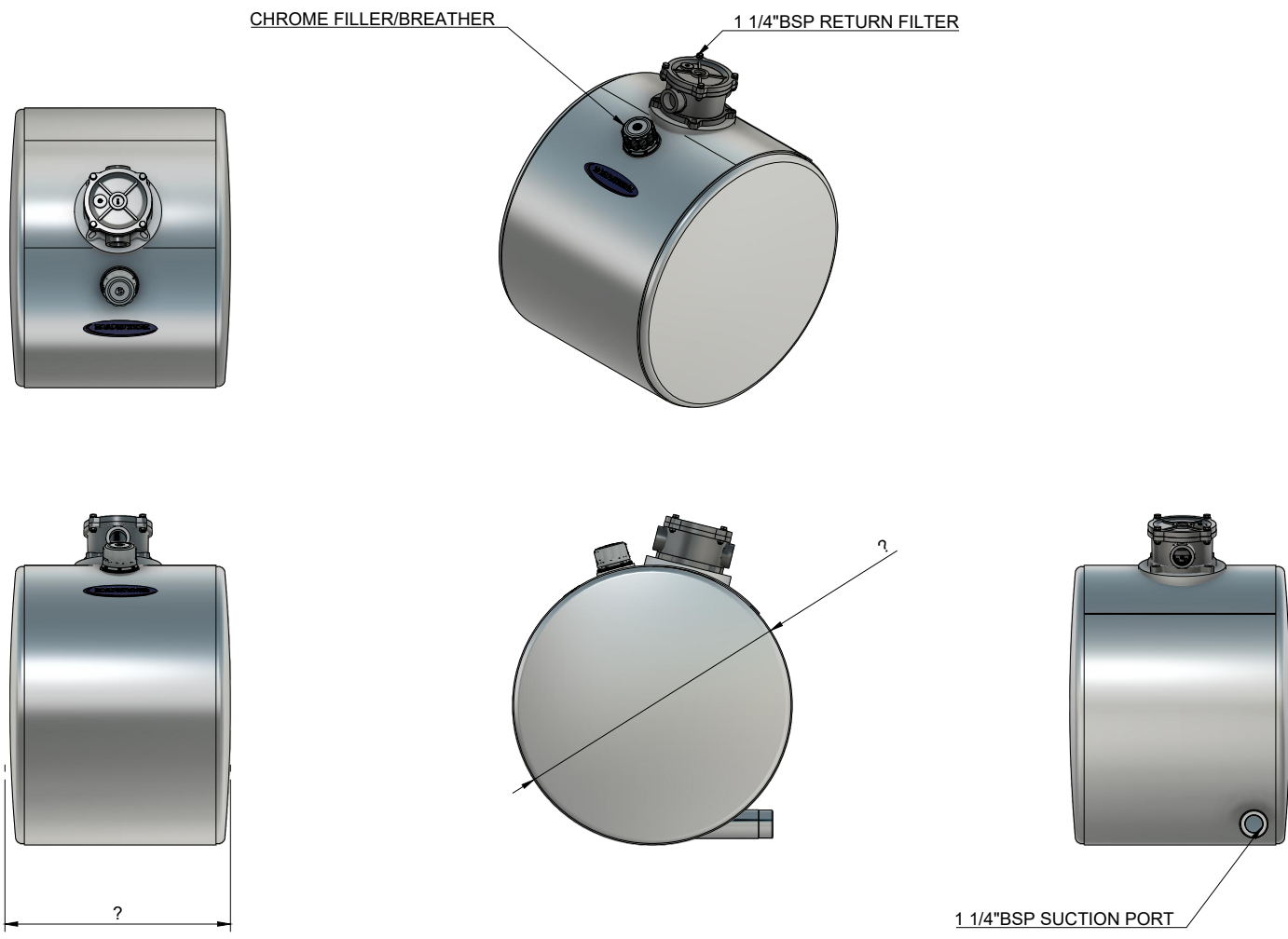


DIRECTORY:

FITTING POSITIONS SHOWN ARE STANDARD. PLEASE INDICATE WITH DIMENSIONS IF REQUIRED IN A DIFFERENT LOCATION.

ISSUE	DETAILS	DATE
A	TO BE APPROVED FOR MANUFACTURE	



TANK DIAMETER	
Ø 635	
Ø 660	

THIS DRAWING AND/OR ELECTRONIC MEDIA CONTAINING THIS DRAWING REMAIN THE PROPERTY OF ROADRUNNER MANUFACTURING LTD. IT MAY NOT BE COPIED OR USED IN ANY UNORTHERISED MANNER

ROADRUNNER
ROADRUNNER MANUFACTURING (NZ) LIMITED



CLIENT:		SHEET: 1/1	
TITLE: Round Hydraulic Tank - Spec Sheet	DATE:	SCALE: 1:16	ISSUE:
DRAWN BY: Steve Tunncliffe	PRODUCT CODE:	JOB NUMBER	